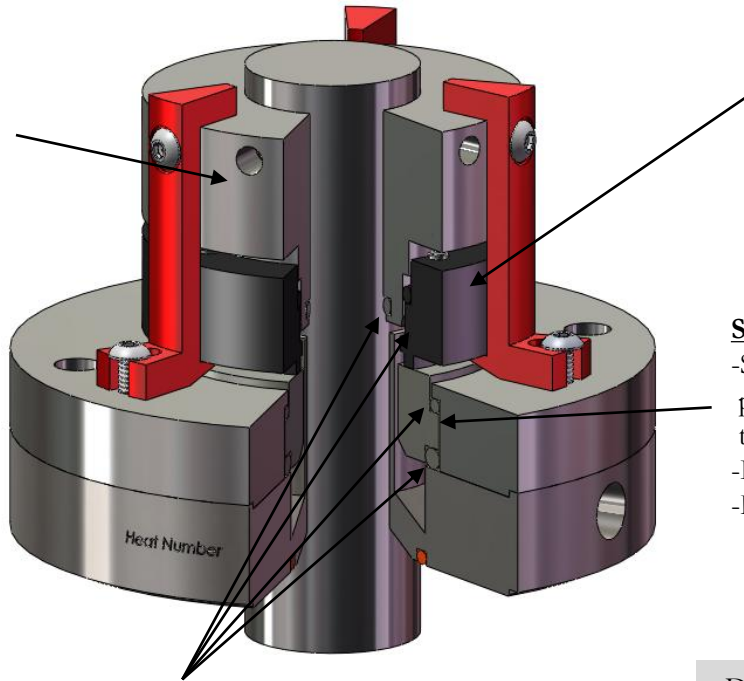


Single Dry Running Mixer Seal

Rotary Holder

- Easy, positive installation with supplied set-up clips
- Sanitary O-ring location
- Fully traceable complete with serial number
- Enclosed spring design for consistent performance



Rotary Face

- Proprietary dry running carbon greatly reduces noise
- Enclosed drive mechanism for improved operator safety
- Fully traceable supplied as standard

Stationary Face

- Sintered silicone carbide supplied as standard provides for long life and high tolerance to a wide variety of products.
- Exposed O-ring design for optimum cleanliness
- Fully traceable supplied as standard

Elastomers

- USP section <87> and <88> Class VI
- 121 deg. C EPDM or FPM supplied as standard
- Fully traceable supplied as standard
- Optional materials available include silicone and FFPM

- Designed to meet current ASME BPE standards
- Capable of handling up to 0.150" shaft runout
- Full vacuum to 200 PSI
- Shaft sizes from 1/2" to 7"
- Available with a variety of options

Documentation

Standard Validation Support Package includes:

- MTR's for all wetted metal components
- Certificate of Conformance and Traceability for seal faces and elastomers